

# VINCENT SHEPPARD



## WICKED COLLECTION

PRODUCT DATA SHEET

# WICKED COLLECTION



WICKED DINING ARMCHAIR



WICKED LOUNGE CHAIR



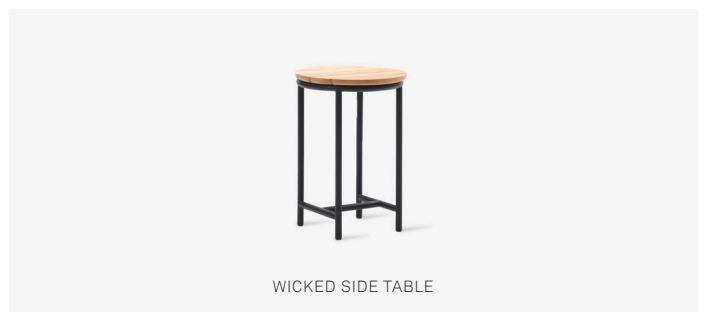
WICKED LOUNGE SOFA 2S



WICKED LOUNGE SOFA 3S



WICKED DINING TABLE



WICKED SIDE TABLE

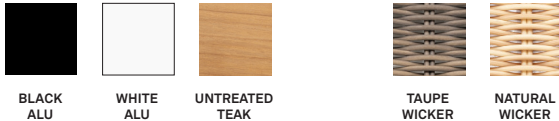


WICKED COFFEE TABLE

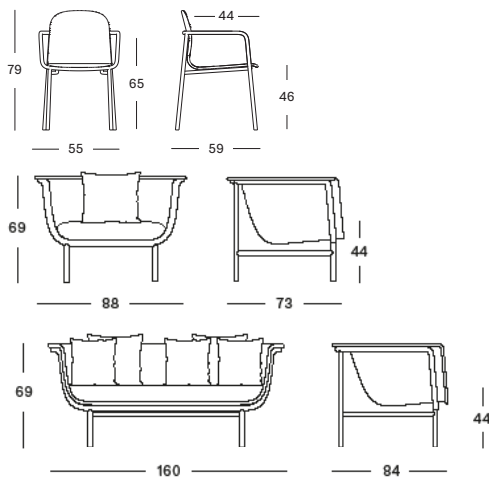
## WICKED

<b>frame</b>	aluminium
<b>frame finish</b>	black or white powder coated
<b>seat</b>	HDPE wicker
<b>seat color</b>	taupe or natural
<b>top/finish</b>	untreated teak
<b>glides</b>	black nylon

## COLOURS



## DIMENSIONS



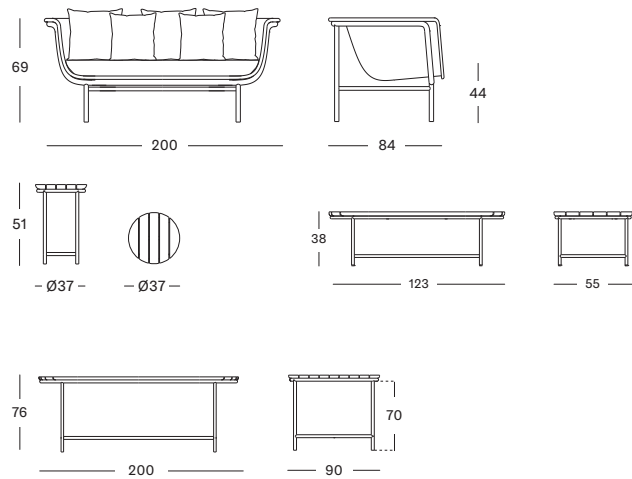
## CUSHION

<b>foam</b>	dining chair: 2 cm polyether foam lounge chair: 10 cm quick dry foam
<b>removable</b>	yes
<b>fabrics</b>	see fabric data sheet for more info

## PROTECTIVE COVERS

We recommend using protective covers only on **dry** teak furniture.

<b>dining chair</b>	PC001
<b>lounge chair</b>	PC002
<b>lounge sofa 2S</b>	PC003
<b>lounge sofa 3S</b>	PC005



## MAINTENANCE AND CARE

### STAINED TEAK

#### FOR DAILY CARE

Use a moist towel or sponge with a mild solution of water and natural, non-aggressive soap.

#### FOR STUBBORN STAINS

If your furniture is stained, consider one of the following options:

- Grease spots have appeared on the furniture**  
 This is a natural feature of the wood and grease spots should gradually disappear after being exposed to sunlight. However, should you wish to remove these blemishes, we recommend using a degreasing agent and gentle scrubbing with a brush. Rinse off with clean water.
- The furniture has developed mildew spots or black blemishes**  
 This is usually the result of rainwater or sometimes sap dripping from the leaves of trees onto the wood leaving dark marks and spots. Ideally, we recommend the furniture is not placed under trees. However, these marks can be removed by lightly sanding with fine sandpaper.
- You spilled wine or something else leaving persistent stains**  
 For wine and other stains, we recommend using a weak solution of bleach and water combined with a dishwashing agent to wipe the area clean.

### CERAMIC

If you're looking for a material which requires little to no maintenance, yet offers maximum resistance, you would do well to involve ceramic. The material preserves the natural look of stone and offers top of the chart convenience. Cleaning the table with water and mild soap will do the trick!

### POLYPROPYLENE ROPE

Another material used for our all-weather furniture, is rope. Our rope is made of polypropylene fibres or acrylic. Just like our other synthetic materials, the rope is designed to withstand any weather condition and can be left outside all year long.

For maintaining your rope furniture, we recommend using a fabric and upholstery protector to give optimal stain resistance.

To clean spots on the rope, we suggest applying a mist of soapy water with a spray bottle and then work the solution into the rope with a soft cloth by patting or rubbing lightly. Rinse the solution thoroughly and then blot excess moisture from the rope using a soft cloth and allow air-drying.

Never use a high-pressure hose on polypropylene rope.

# WICKED COLLECTION

## IN THIS COLLECTION

WICKED	ITEM CODE	FINISH	PACKAGE DIMENSION (cm/inch)		CBM (m <sup>3</sup> /ft <sup>3</sup> )		WEIGHT (kg/lb)	
dining chair	GD185S021	black / taupe	117 x 62 x 58	46 x 24 x 23	0,42	14.86	7,37	16.25
	GD185S030	white / natural						
lounge chair	GC037S021	black / taupe	80 x 100 x 80	31 x 39 x 31	0,64	22.60	9	19.84
	GC037S030	white / natural						
lounge sofa 2S	GC040S021	black / taupe	76 x 164 x 86	30 x 65 x 34	1,07	37.85	22	48.50
	GC040S030	white / natural						
lounge sofa 3s	GC036S021	black / taupe	80 x 210 x 80	31 x 83 x 31	1,28	47.46	41	90.39
	GC036S030	white / natural						
side table	GT070S021	black / untreated teak	44 x 46 x 46	17.3 x 18 x 18	0,09	3.2	5,5	12.13
	GT070S030	white / untreated teak						
coffee table	GT071S021	black / untreated teak	42 x 132 x 63	17 x 52 x 25	0,35	12.33	19,1	42.11
	GT071S030	white / untreated teak						
dining table 200	GT166A007	black / untreated teak	15 x 204 x 95	6 x 80 x 37	0,29	10.21	48,15	106.15
dining table 250	GT167A008	black / untreated teak	15 x 254 x 95	6 x 100 x 37	0,09	12.71	56,8	125.22